

NDV10 Small-size Flowsensor for Liquid

ND series offers high accuracy measurement of not only cold and warm water but also pure water, chemical fluids, etc. It is light-weighted compact body and is compatible with various kinds of fluids with the carefully selected casing materials such as PP, ETFE, PPO, etc., and with the highly sensitive magnetic sensor of our own development. This series is therefore widely applicable for various flow measurements and its control and monitoring as well.



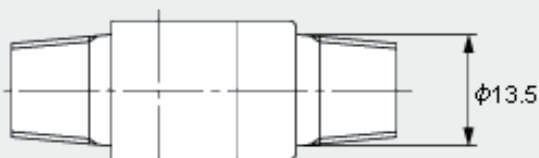
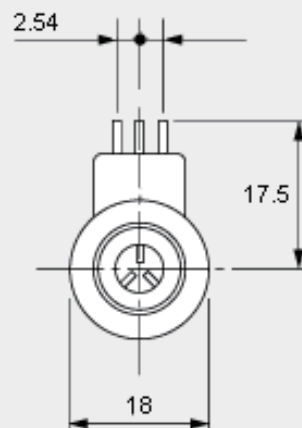
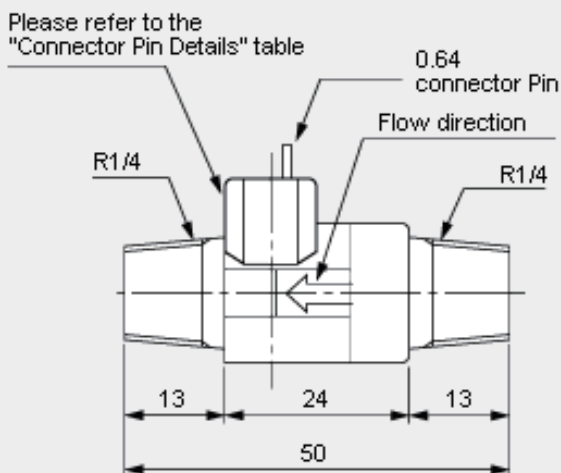
Feature

- Superior repeatability
- Low pressure drop
- Output of pulses proportional to flow-rate with the amplifier-built-in magnetic sensor which is strong against electrical noises
- Simple structure
- Free installation position
- Small and light weight

Application

- To control of warm water temperature
- To constantly supply water and warm water
- To monitor coolant, etc.
- To proportionally inject chemical fluids
- To control pressure loss of filters

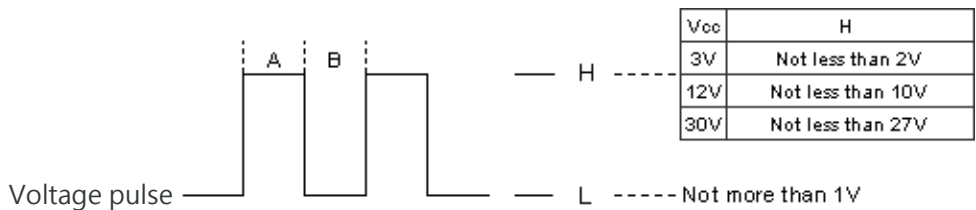
Dimensions



Connector Pin Details

Description on the product	Function
V+	Vcc
OUT	Vout
GND	GND

Specifications

Flow-rate range	1 L/min – 10 L/min									
Accuracy	Within $\pm 7\%$ (RS)									
Measurable fluid	City water *1									
Maximum working pressure	Up to 0.75 MPa (At fluid temperature of 20°C)									
Pulse unit	1.12 mL/p (There is possibility that piping condition of the equipment in which NDV10 is installed influences and varies this pulse unit.)									
Pressure drop	27 kPa at 10 L/min									
Working temperature range	Fluid: 0 – +40°C Ambient: 0 – +40°C (35-85%RH,Dew condensation must be avoided)									
Connection	Please refer to External Dimension									
Power supply for the sensor	3 – 30 V DC (Vcc)									
Transmitting wire connection	Connector-pin connection method									
Output signal	 <table border="1" data-bbox="1123 1323 1422 1456"> <thead> <tr> <th>Vcc</th> <th>H</th> </tr> </thead> <tbody> <tr> <td>3V</td> <td>Not less than 2V</td> </tr> <tr> <td>12V</td> <td>Not less than 10V</td> </tr> <tr> <td>30V</td> <td>Not less than 27V</td> </tr> </tbody> </table> <p data-bbox="443 1496 1308 1525">Voltage pulse ——— H ——— L ——— Not more than 1V</p> <p data-bbox="539 1547 1319 1576">Note: Please utilize at electric load resistance not less than 10KΩ.</p>		Vcc	H	3V	Not less than 2V	12V	Not less than 10V	30V	Not less than 27V
Vcc	H									
3V	Not less than 2V									
12V	Not less than 10V									
30V	Not less than 27V									
Weight	Approx. 12g									
Material of the main parts	Casing	ABS resin containing glass fiber (Color: Milk white)								
	Vane wheel	Polyacetal resin containing carbon fiber								
	Shaft	SUS304								
	Magnet	Samarium cobalt magnet								

*1: For fluid other than city water, Please contact us for our checking of Suitability.