

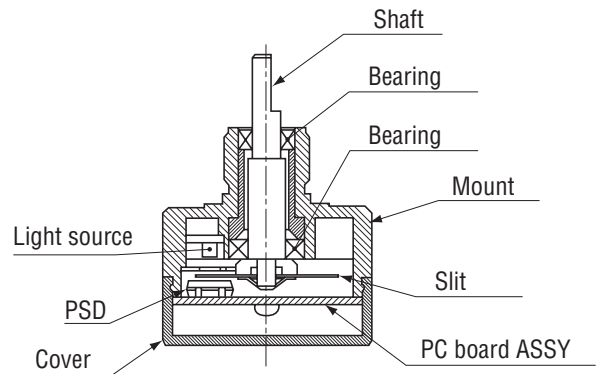
OPTICAL CONTACTLESS TYPE

JT22 series

RoHS compliant



Basic construction

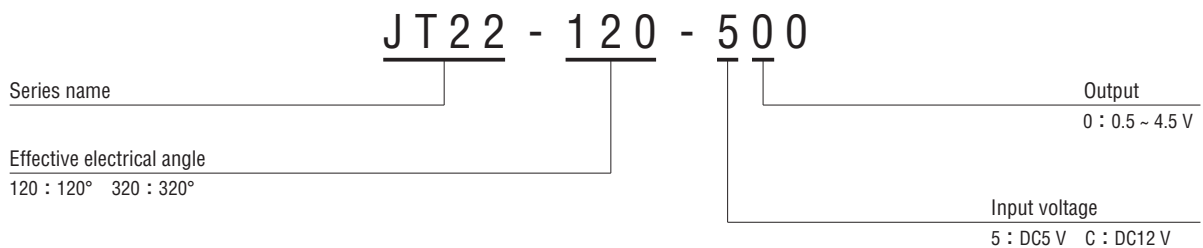


FEATURES

- Contactless configuration offers much longer life
- Low torque 0.147 mN·m (1.5 gf·cm) maximum
- Superior temperature characteristic due to temperature compensation circuit incorporated
- Wide effective electrical angle (120° • 320°)
- RoHS compliant

Optical contactless single turn type

PART NUMBER DESIGNATION



LIST OF PART NUMBERS

| Effective electrical angle | Input voltage | Part number |
|----------------------------|---------------|--------------|
| 120° | DC5 V | JT22-120-500 |
| | DC12 V | JT22-120-C00 |
| 320° | DC5 V | JT22-320-500 |
| | DC12 V | JT22-320-C00 |

※Verify the above part numbers when placing orders.

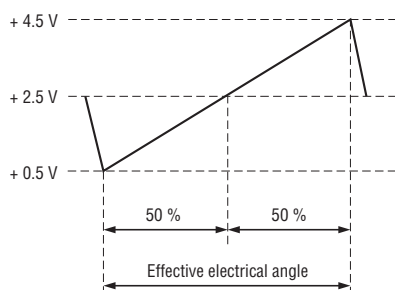
STANDARD SPECIFICATIONS

Electrical characteristics

| | | | | |
|----------------------------|--|--------------------|------|------|
| Input voltage | DC5 V \pm 0.25 V | DC12 V \pm 0.6 V | | |
| Dissipation | 40 mA maximum | | | |
| Effective electrical angle | 120° | 320° | 120° | 320° |
| Output voltage | +0.5 ~ +4.5 V | | | |
| Absolute linearity ※1 | \pm 3.0 % | | | |
| Temperature sensitivity | \pm 3.0 %FS (\pm 2.0 %FS/-30 ~ 70 °C) | | | |
| Temperature medium drift | \pm 40 mV | | | |
| Insulation resistance | 100 M Ω (at DC500 V) minimum | | | |
| Dielectric strength | AC500 V (1 min) | | | |

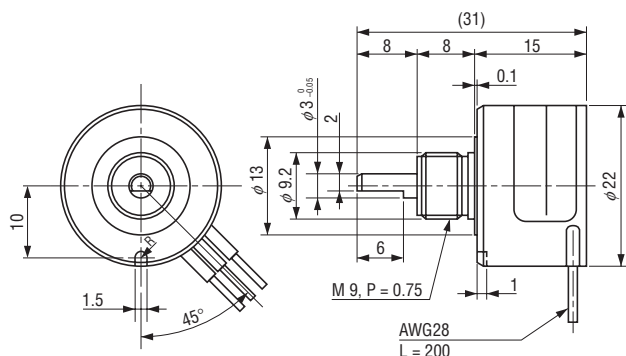
※1 At normal temp.

OUTPUT

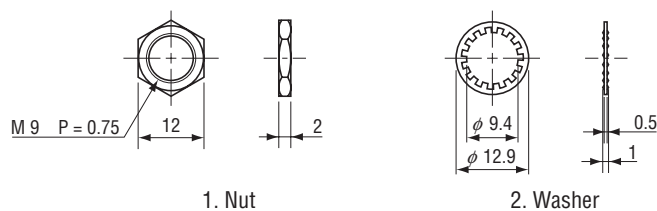


※ The output increases with CW shaft rotation.

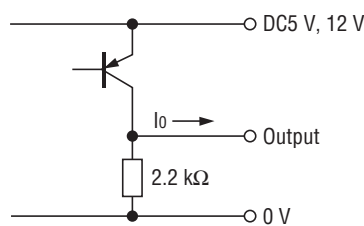
OUTLINE DIMENSIONS



<Accessories>



OUTPUT CIRCUITRY



I_o \pm 20 mA max.

(Unit: mm)

ELECTRICAL WIRING

| | |
|-------|----------------|
| Red | Power \oplus |
| Black | Power 0 (V) |
| White | Output |