

# Outdoor-Moisture/Temperature Sensor

Model : JTC-OTH6



## Features

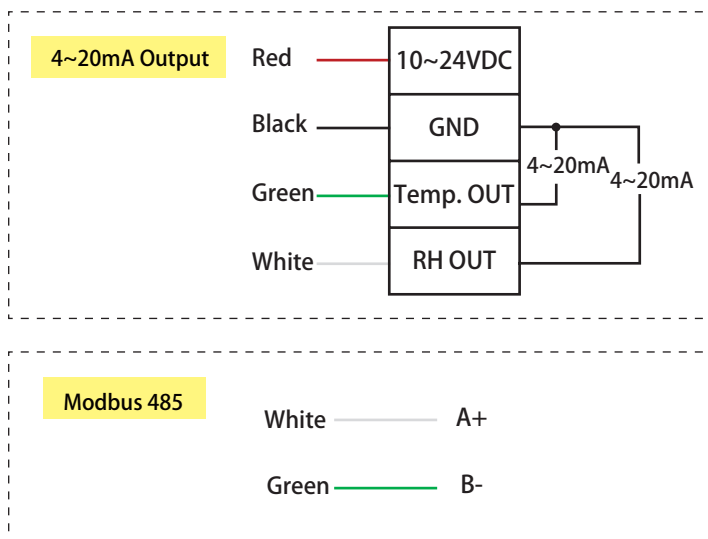
- Mutil-wing convection design,Weather,Rain proof
- Easy to install,dismantle and adjust
- Application areas : Outdoor environment monitoring,Greenhouse,Weather ∨ Industry...etc.

## Option

JTC-OTH6-   -  

Type	1	Temperature
	2	Temperature and Moisture
Output	A	4~20mA(3-Wire)
	M	ModBus RTU

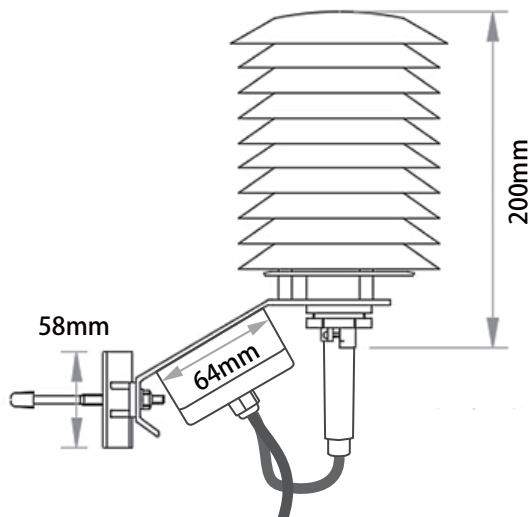
## Wiring Diagram



## Installation Diagram



## Dimension



## Specifications

Measuring Type	Temperature / Moisture	
Measuring Mode	CMOS(Temperature and Moisture)	
Measuring Range	Temperature	0~60°C
	Moisture	0~100%RH
Accuracy	Temperature	±0.3°C (20~40°C), ±1°C(other range)
	Moisture	±3%RH (20~80%RH), ±5%RH (other range)
Output	4-20mA ∨ ModBus RTU (option)	
Sampling Cycle	0.3 sec	
Supply Voltage	DC 10~24V	