

CO2 Transmitter



SYS-C Series

- Most popular applications for building management, demand controlled ventilation, air quality, medical, hvac, agricultural..etc.
- SYS-C operates on the NDIR principle
- Easy installation, optional display
- Modbus RTU interface (option)
- Quality Certifications : CE certification
- Fold-out stand and Gourd hole for wall fastening

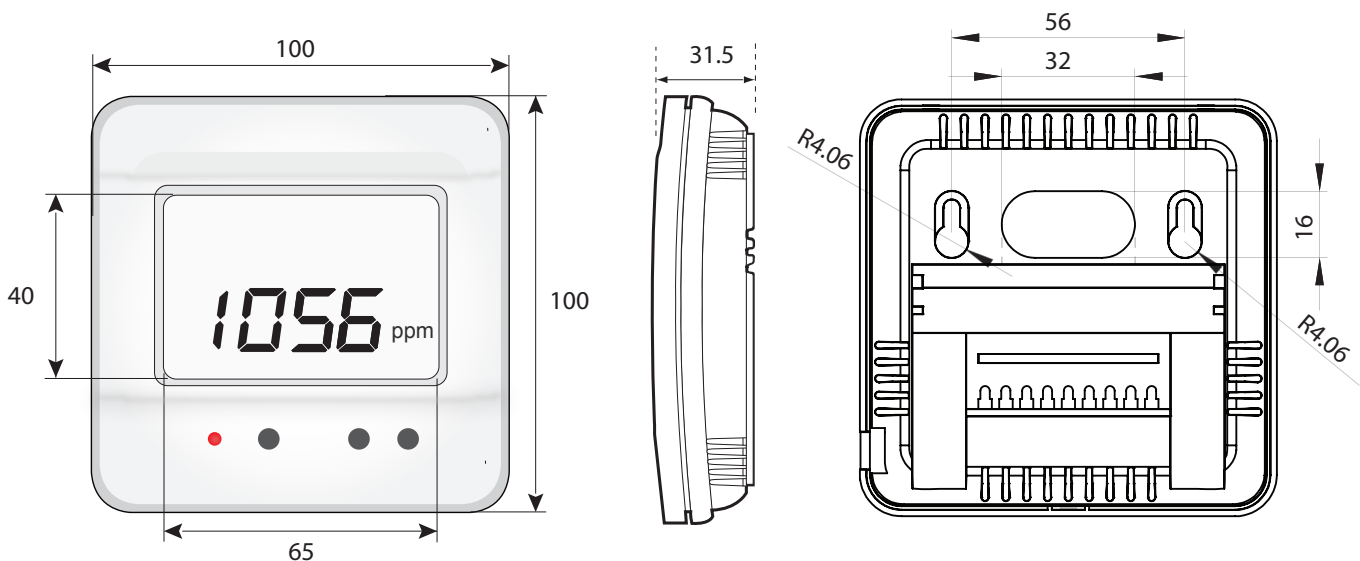


Specifications

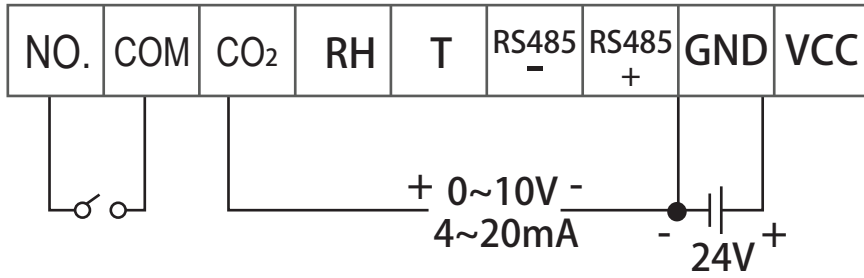
Model		SYS-C Series
Measure type		CO2
Sensing Method		NDIR
Range		0~2000, 0~3000, 0~5000 ppm
Accuracy		±(75ppm ±5% of measured value)
Output	Analog	0~10V or 4-20mA
	Relay	5A 30V DC / 250V AC
Communication		ModBus 485, 9600, none, 8 bits, 1 stop bit (Option)
Sampling Rate		3 sec
Response time		<30 sec
Warm up time		<2 min
Operating Range		0 ~ 50°C, 0 ~ 100% RH (Non-condensation)
Display		LCD, 65×40 mm
Alarm Indication		LED (Red)
Power supply		DC 10~24V

Dimensional drawings

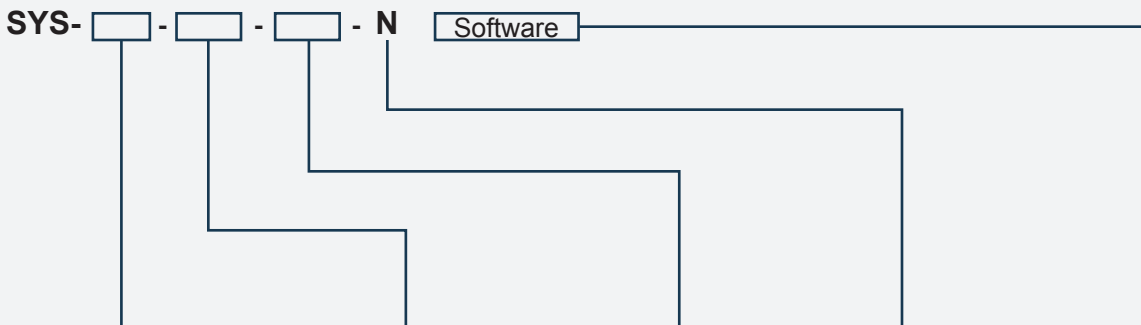
unit : mm



Wiring Diagram



Ordering Guide



Model		
C	2	CO ₂ : 0~2000 ppm
	3	CO ₂ : 0~3000 ppm
	5	CO ₂ : 0~5000 ppm

Output	
1	0~10V
2	4~20mA(three-wire)

Communication	
	None
M	ModBus RTU

Display	
N	With LCD Display

Software(Optional)	
j-MoniSoft	Basic Version
j-MoniSoft Pro	Pro Version

Software



j-MoniSoft Basic Version



6 Channel



Configurable Parameters



Graph



Alarm indication



Data logging



Exporting Logger Data(.csv)

※ Pro Version : DataLog & Alarm Search
Exporting Logger Data (.xlsx)
E-mail Alert
Customized