

CO Transmitter

SYS-G Series

- Most popular applications for building management, demand controlled ventilation, air quality, medical, hvac, agricultural..etc.
- Easy installation, optional display
- Modbus RTU interface (option)
- Quality Certifications : CE certification
- Fold-out stand and Gourd hole for wall fastening

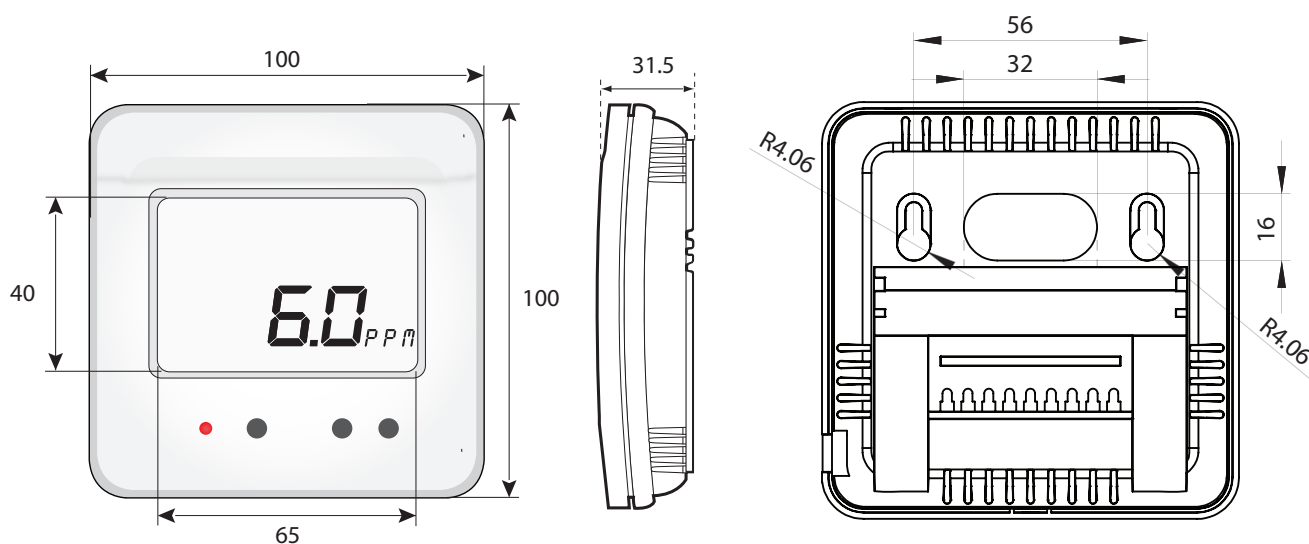


Specifications

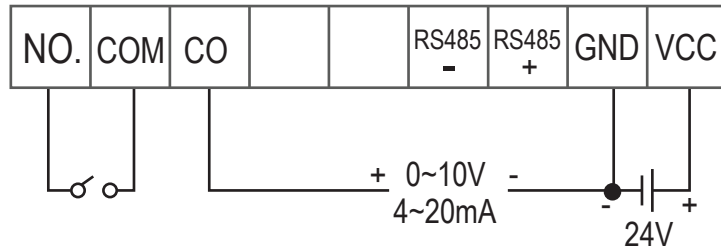
Model	SYS-GX-×-×-N	
Measure type	CO	
Sensing Method	Semiconductor	
Range	0~100, 0~300, 0~500, 0~1000 ppm	
Accuracy	±10PPM (0~100ppm) 、 ±15PPM (100~300ppm) 、 ±15%FS (300~1000ppm)	
Output	Analog	0~10V or 4-20mA
	Relay	5A 30V DC / 250V AC
Communication	ModBus 485, 9600, none, 8 bits, 1 stop bit (Option)	
Response time	10 sec (CO)	
Warm up time	60 sec	
Operating Range	0 ~ 50°C , 0 ~ 100% RH (No condensation)	
Display	LCD , 65×40 mm (options)	
Alarm Indication	LED (Red)	
Power supply	DC 10~24V	

Dimensional drawings

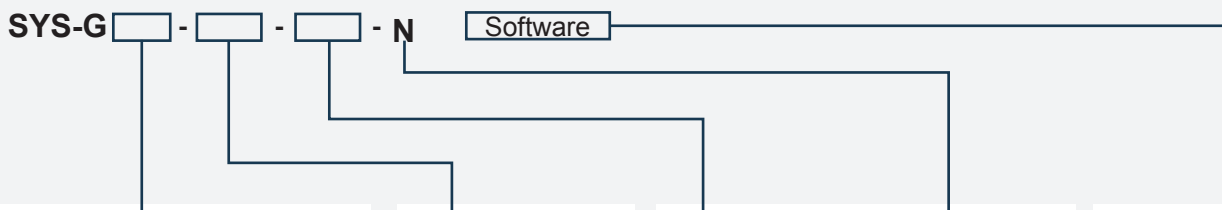
unit : mm



Wiring Diagram



Ordering Guide



Model	Output	Communication	Display	Software (Option)
G	1	None	N With LCD Display	j-MoniSoft Basic Version
	3			
	5	j-MoniSoft Pro		
	10			

Software



j-MoniSoft Basic Version



6 Channel



Configurable Parameters



Graph



Alarm indication



Data logging



Exporting Logger Data(.csv)

※ Pro Version : DataLog & Alarm Search
Exporting Logger Data (.xlsx)
E-mail Alert
Customized