

# Temperature Humidity Transmitter

## SYS-TH Series

- Optional Large easy-to-read LCD display
- Modbus RTU interface (option)
- Fold-out stand and Gourd hole for wall fastening
- Quality Certifications : CE certification
- Most popular applications for incubators, building, office, storage any other place that requires monitoring of temperature and humidity levels

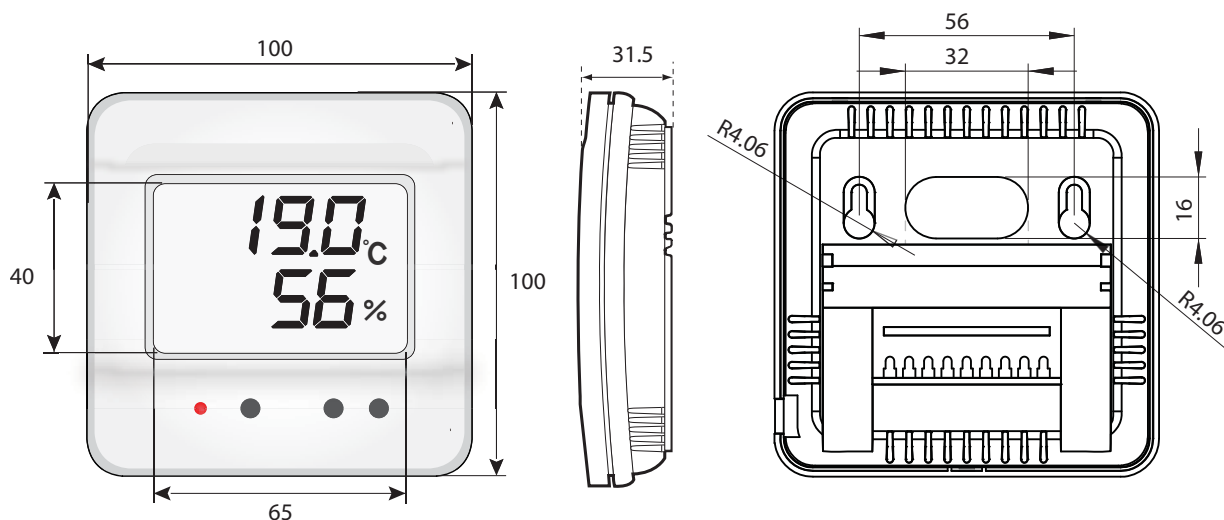


## Specifications

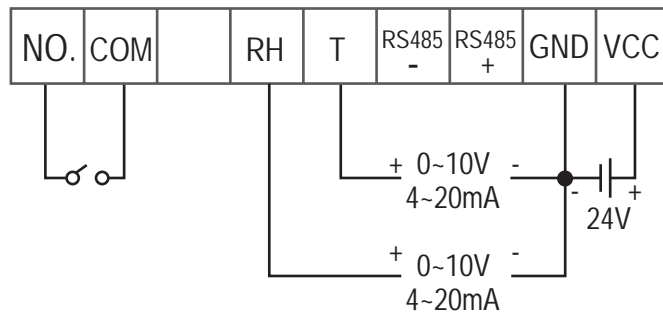
Model	SYS-T / SYS-H / SYS-TH	
Measure Type	Temperature / Humidity	
Sesing Method	CMOS	
Range	Temp	0~60°C
	RH	0~100%RH
Accuracy	Temp	±0.3°C (20~40°C), ±1°C (other range)(@25°C)
	RH	±3%RH (20~80%RH), ±5%RH (other range)(@25°C)
Output	Analog	0~10V or 4-20mA
	Relay	5A 30V DC / 250V AC
Communication	ModBus 485, 9600, none, 8 bits, 1 stop bit (option)	
Sampling Rate	0.3 sec	
Operating Range	Temp	0 ~ 60°C
	RH	0 ~ 100% RH (non-condensing)
Display	LCD · 65 × 40 mm	
Alarm Indication	LED (Red)	
Power Supply	DC 10~24V	

## Dimensional drawings

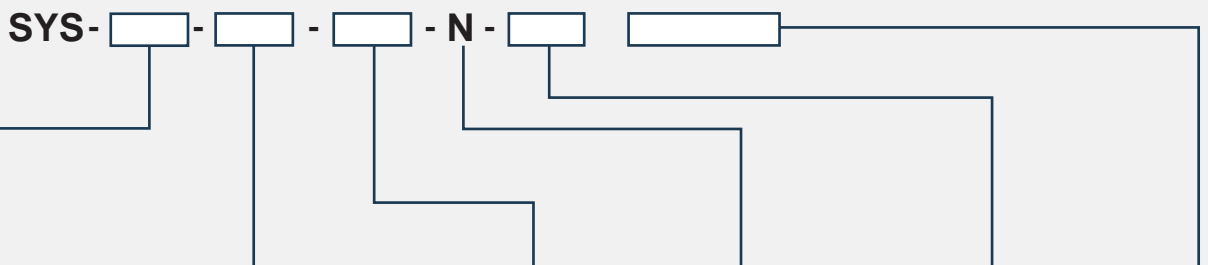
unit:mm



# Wiring Diagram



# Ordering Guide



Type	
T	Temperature
H	Humidity
TH	Temperature&Humidity

Output	
None	
1	0~10V
2	4~20mA(3-wire)

Communication	
None	
M	ModBus RTU

Display	
N	with LCD

Test Report	
None	
X	Test Report

Software (Option)	
j-MoniSoft	Basic Version
j-MoniSoft Pro	Pro Version

# Software



*j-MoniSoft* Basic Version



6 Channel



Configurable Parameters



Graph



Alarm indication



Data logging



Exporting Logger Data(.csv)

※ Pro Version : DataLog & Alarm Search  
Exporting Logger Data (.xlsx)  
E-mail Alert  
Customized